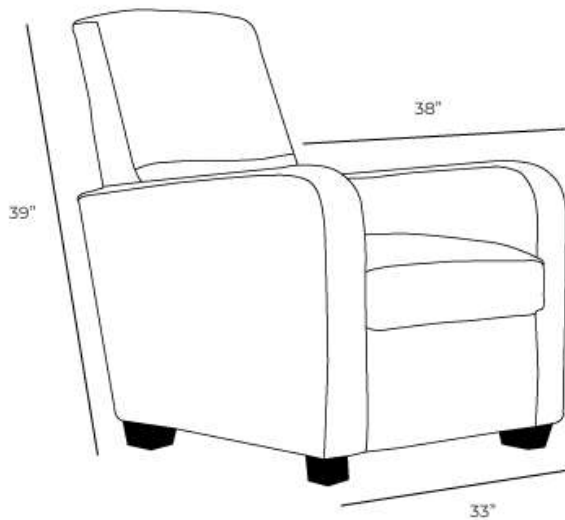


# Razor



## Description



### Overall Dimensions

Arm Height	26"
Arm Width	5"
Seat Height	19"
Seat Depth	23"

## Measurements

Chair



Length Depth Height

33" 38" 39"

**\*All measurements are approximate**

## Details

- Available in premium Italian top & full grain leathers or premium quality fabrics
- Handcrafted in Toronto, Canada by Rosedale Seating
- Available in any depth and length
- Kiln-dried Canadian ethically sourced hardwood
- Eco-friendly construction
- Double-doweled frame
- Corner block joinery
- Evenly suspended steel springs
- Choose standard fills: Super soft , tahoe, medium, firm (poly fiber wrapped around a soya-based high density foam core)
- Premium fill: Feather Deluxe (down, feather envelope encased in commercial grade foam core)
- Ultra cell foam (high density foam designed for commercial and contract use)
- All furniture available with your choice of over 20 decorative nail options in varying sizes and colours. There is also the ability to omit studs from any piece
- Wood block feet available in multiple sizes and finishes. Chrome and brushed steel legs also available in multiple sizes
- Rosedale Seating Leather and Fabric Furniture offers you a lifetime warranty on the construction and springs on your piece. To find out more about the best warranty in Canada, please visit our "Construction" page.